

**MVK-ME DIO8 (DIO8)**

EthernetIP Compact module, metal

Digital inputs/outputs

DIO8 DIO8

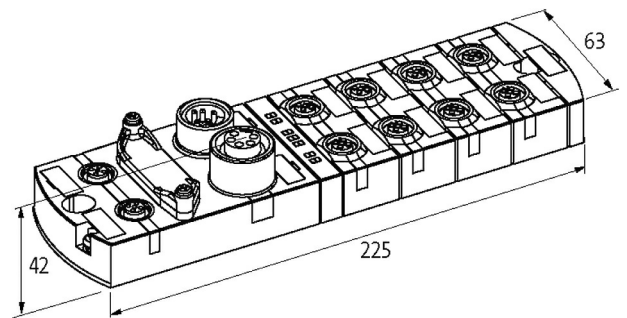
Ethernet 10/100 Mbit/s; M12, D-coded

7/8", 5-pole, 2× max. 9 A

M12, 5-pole, A-coded

Connection cables are in the online shop under "Connection Technology".

Housing fully potted.

**Illustration**

Product may differ from Image

**Approvals****More Info****Input**

Sensor supply US	24 V DC (EN 61131-2), max. 200 mA (M12 female), short-circuit and overload protected
Type	for 3-wire sensors or mechanical switches, PNP

**Output**

Actuator supply UA	24 V DC (EN 61131-2), max. 9 A
Switching current per output	max. 1.6 A (short-circuit and overload protected)
Lamp load	10 W

**Connections**

Fieldbus	Ethernet 10/100 Mbit/s; M12, D-coded
Sensor-system/actuator supply	7/8", 5-pole, 2× max. 9 A
I/O ports	M12, 5-pole, A-coded

**General data**

Protection	IP67
Mounting method	2-hole screw mounting, compatible with I/O modules of MVK model range
Temperature range	-25...+55 °C (storage temperature -25...+70 °C)
Dimensions H×W×D	42×63×225 mm

**EtherNet/IP**

Addressing	DHCP, BOOTP or IP address by rotary switch
DLR (Device Level Ring)	yes

**Parameterization**

PIN 4	Input/Output (port X0...X7)
PIN 2	Input/Output (port X0...X7)

**Diagnostic**

Communication status	via LED
Diagnostic via LED	per module and channel
Diagnostic via BUS	per module and channel
Monitoring - under voltage	yes
Monitoring - no voltage	yes
Short-circuit and overload	yes

**Commercial data**

country of origin	DE
customs tariff number	85389099
EAN	4048879445481
eClass	27242604
Packaging unit	1